

# POCO 60

## Peripheral Impeller pumps

Industry Water Waste Water Energy Building Service Services



### RANGE OF PERFORMANCE

Flow rate up to 40 l/min (2.4 m<sup>3</sup>/h)  
Head up to 40 m

### LIMITS OF USE

Manometric suction lift up to 8 m  
Liquid temperature up to + 60°C  
Environment temperature up to + 40°C

### CONSTRUCTION AND SAFETY STANDARDS

EN 60 335-1	EN 60034-1
IEC 335-1	IEC 34-1
CEI 61-150	CEI 2-3



### INSTALLATION AND USE

They are recommended for pumping clean water without abrasive particles and liquids that are chemically non aggressive to the materials from which the pump is made.

For their reliability, simplicity of use and economy, they are suitable for domestic use and in particular for distributing water in combination with small pressure sets, for irrigating gardens.

The pumps must be installed in enclosed places, or at least protected against inclement weather.

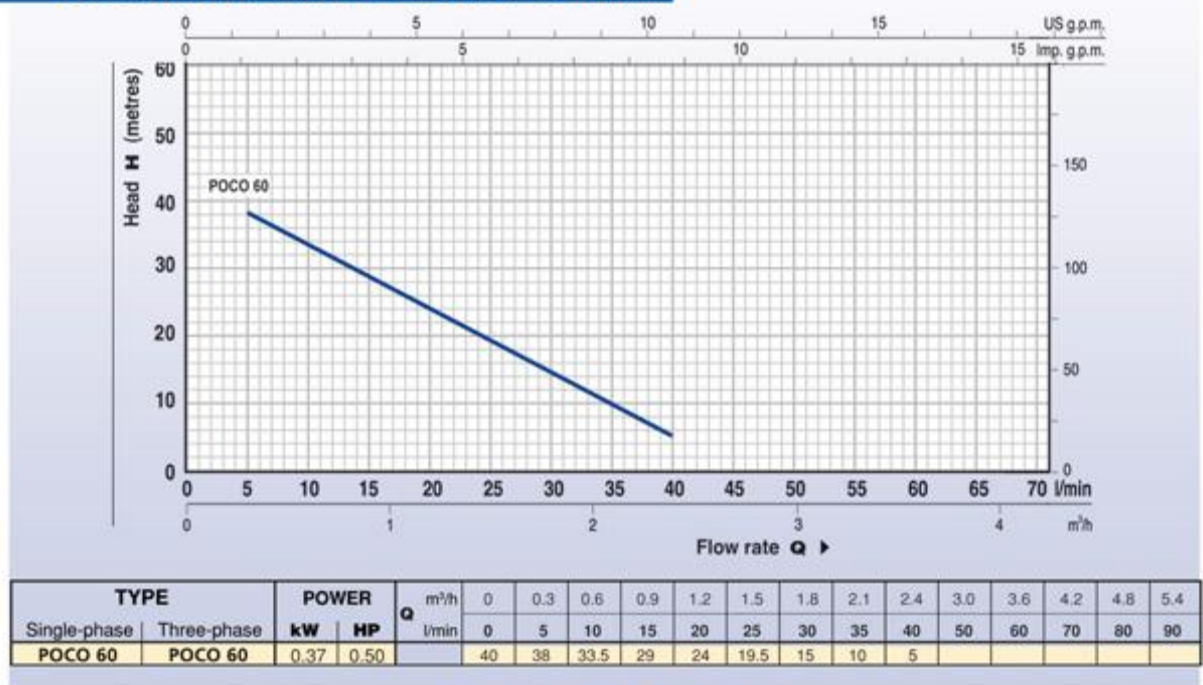
# POCO 60 Pumps with Peripheral Impeller

**GUARANTEE 1 Year** subject to our general terms of sale.

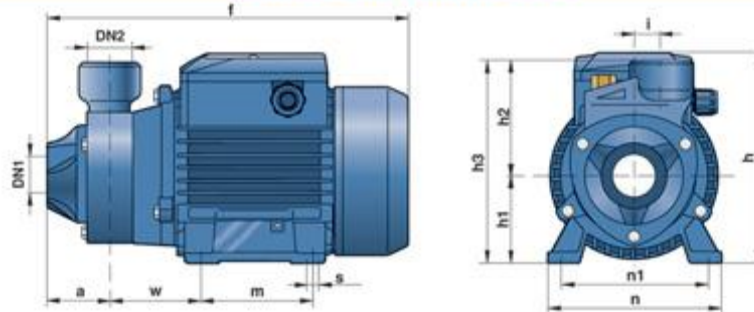
## CONSTRUCTION CHARACTERISTICS

- **PUMP BODY:** Cast iron, with threaded ports ISO 228/1.
- **MOTOR BRACKET:** Aluminium with brass insert; reduces starting difficulties due to seizure of the impeller after long periods of inactivity.
- **IMPELLER:** Brass, of the type with radial peripheral vanes.
- **MOTOR SHAFT:** Stainless steel EN 10088-3 - 1.4104.
- **MECHANICAL SEAL:** Ceramic - Graphite - NBR.
- **ELECTRIC MOTOR:** The pumps are close-coupled to a carefully matched electric motor, quiet running, totally enclosed fan cooled (TEFC), suitable for continuous duty.  
Single-phase 230 V - 50 Hz with capacitor and thermal overload protector.  
Three-phase 230/400 V- 50 Hz.
- **INSULATION:** Class F.
- **PROTECTION:** IP 44.

## CURVES AND PERFORMANCE DATE AT n= 2900 1/min



## DIMENSION AND WEIGHTS



TYPE		PORTS		DIMENSIONS mm													Kg	
Single-phase	Three-phase	DN1	DN2	a	f	h	h1	h2	h3	i	m	n	n1	w	s	-1	-3	
POCO 60	POCO 60	1"	1"	42	243	152	63	75	138	20	80	120	100	55	7	5.3	5.3	